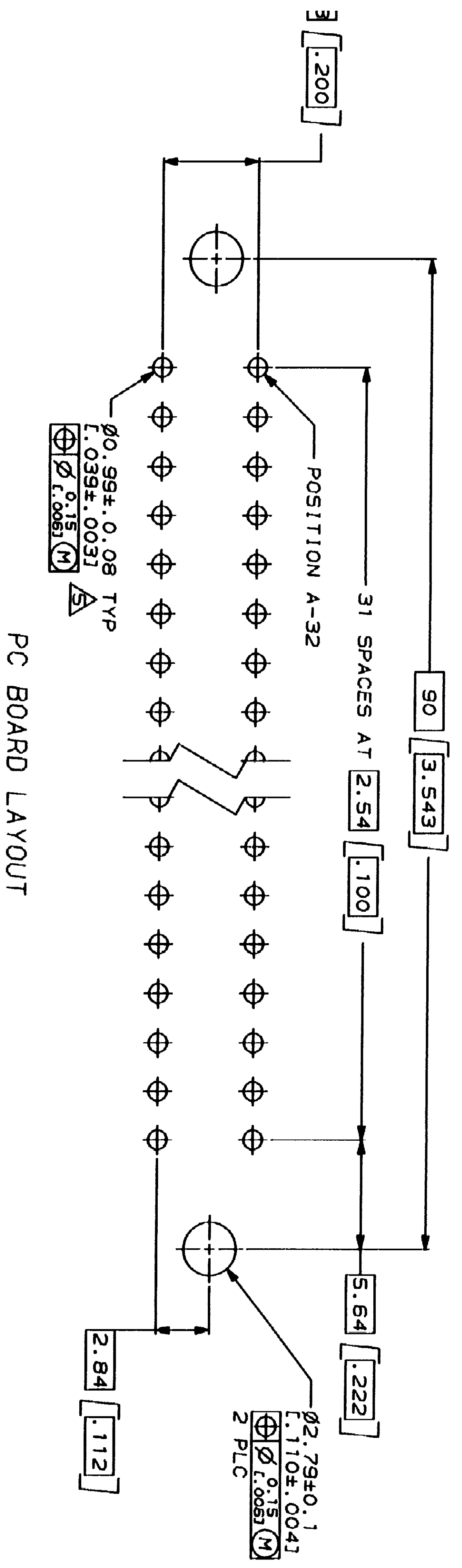
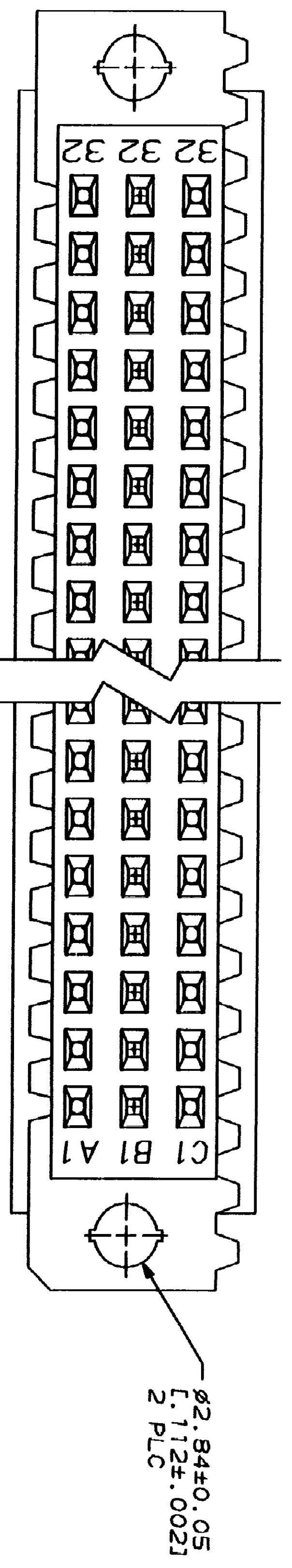
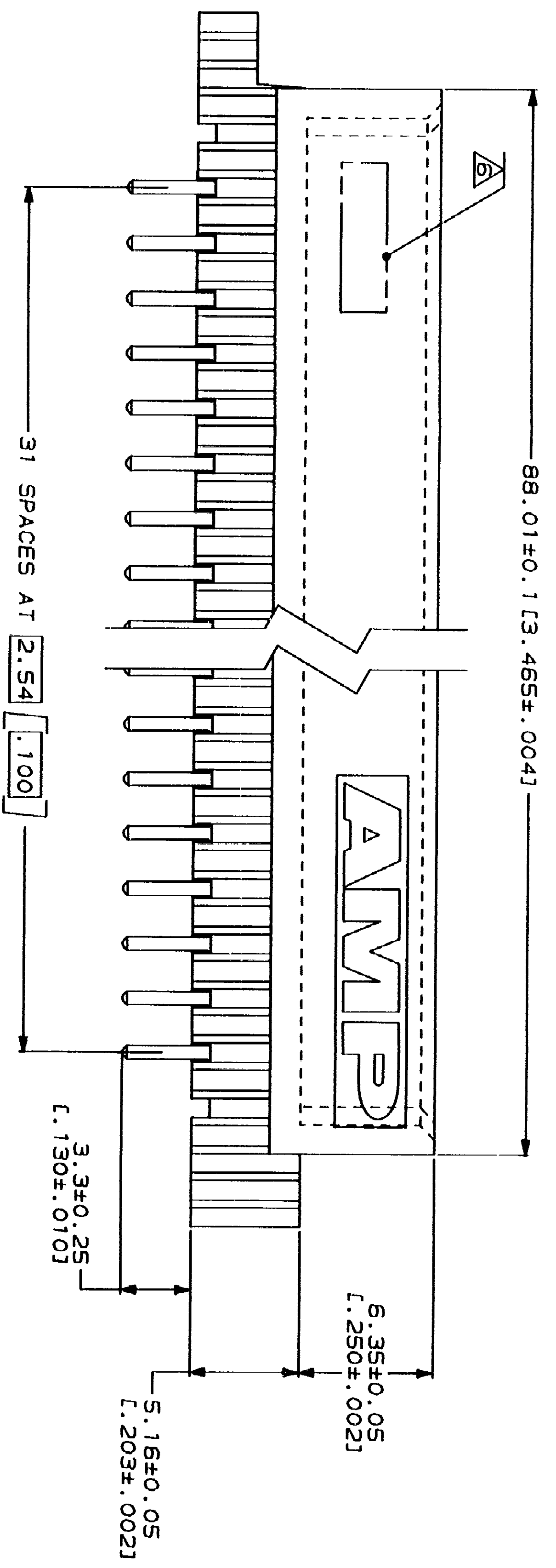
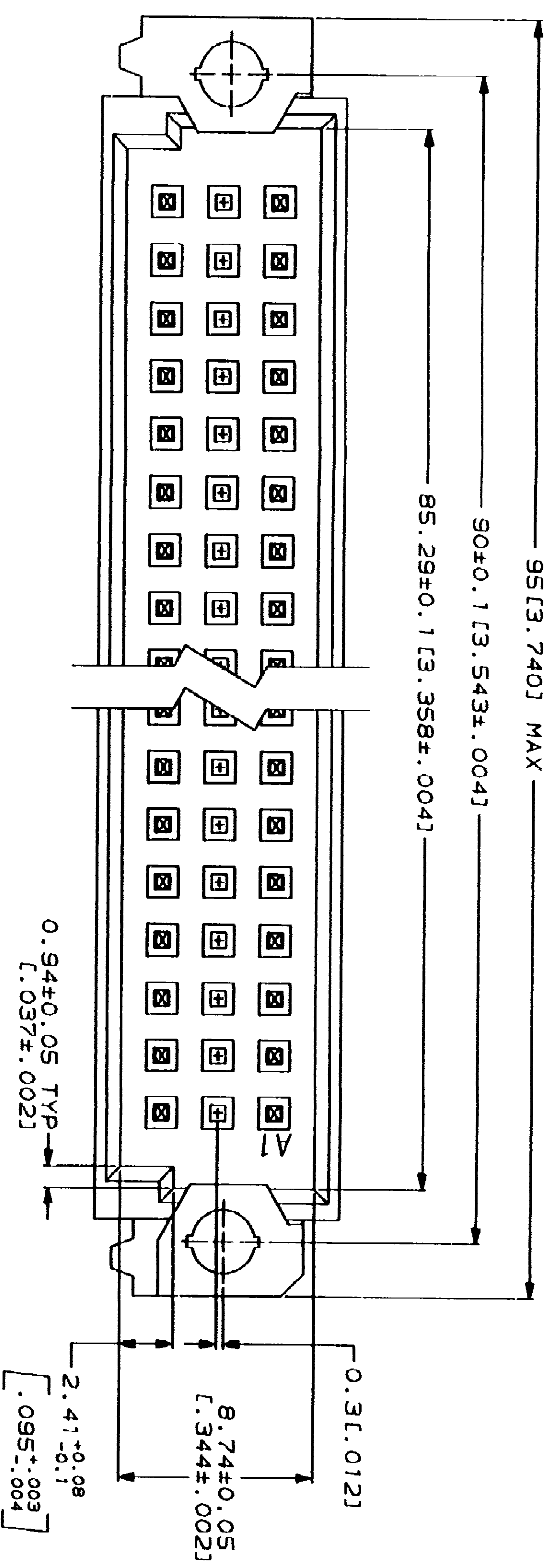


DATE	APPD
11/14/91	LSB
12/26/91	LSB
6/2/92	LSB
11/2/93	LSB
3/25/94	LSB

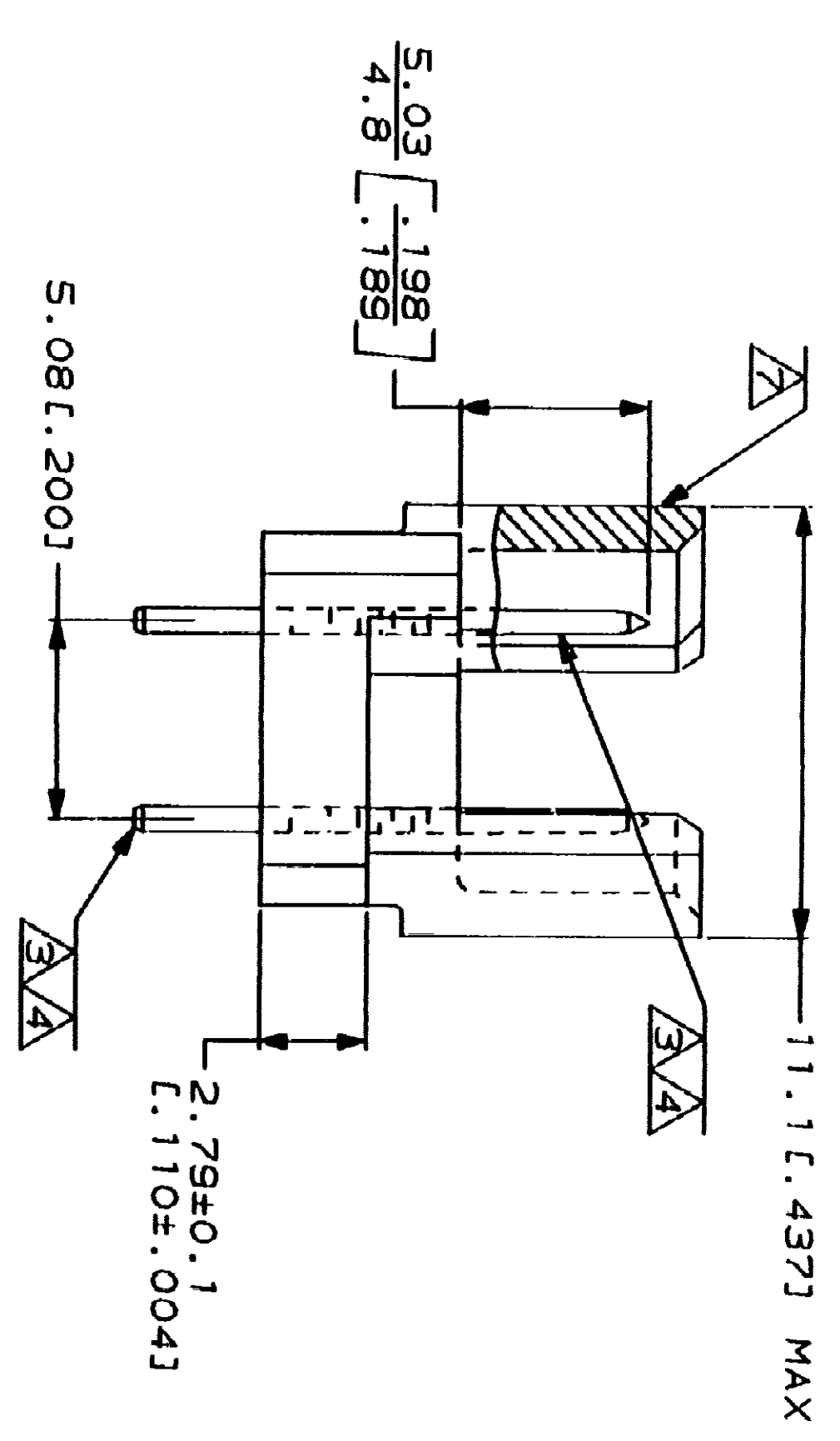
PROJECTION
RELEASED FOR PUBLICATION
BY AMP CORPORATION. ALL INFORMATION BEING FURNISHED.

7 6 5 4 3 2



REV	DATE	BY	DESCRIPTION
0			DRAWN
B			ECN AD5586, AD5640
C			ECN AD5676
D			ECN AD5671
E			ECN AD6256
F			EC 0010-1559-93
G			EC 0010-0436-94

- △ HOUSING MATERIAL: GLASS-FILLED POLYESTER. COLOR: GRAY.
- △ POST MATERIAL: BRASS.
- △ POST FINISH: DIN 41612 CLASS 3 IN CONTACT AREA.
- △ TIN-LEAD PLATE ON POSTS.
- △ POST FINISH: DIN 41612 CLASS 2 IN CONTACT AREA.
- △ TIN-LEAD PLATE ON POSTS.
- △ RECOMMENDED HOLE SIZE FOR MANUAL APPLICATION OF CONNECTOR ONTO PC BOARD.
- △ [PART NUMBER, DATE CODE] MARKED THIS APPROXIMATE AREA.
- △ MARKING ON THIS SIDE.



SUPERSEDED BY 650933-5

REV	DATE	BY	DESCRIPTION
A	1-32	X	X
	1-32	X	X

DO NOT SCALE PRINT.	OR	DATE	NAME
UNLESS SPECIFIED (DIMENSIONS IN MILLIMETERS)	L. BRINER	3/18/91	AMP
1 P.L.C. DEC ± .0131 (0.0051)	D.C. RUBENDALL	3/26/91	AMP
2 P.L.C. DEC ± 0.131 (0.0051)	D.C. RUBENDALL	3/26/91	AMP
MATERIAL HSG	K.R. PARTNER	3/26/91	AMP
POST			

FINISH	POST	SIZE	CAGE CODE	DRAWING NO
POST	△△	D	00779	650
		SCALE	5:1	SHEET

CUSTOMER

REV	DATE	BY	DESCRIPTION
0933-9			
0933-5			

RAWING
1 OF 1